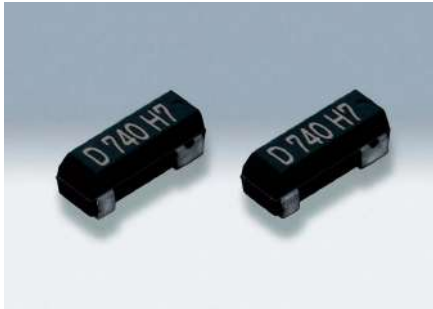


# SMD Crystal Resonators / MHz Band Crystal Resonators

## DMX-38



Actual size 

### ■ Features

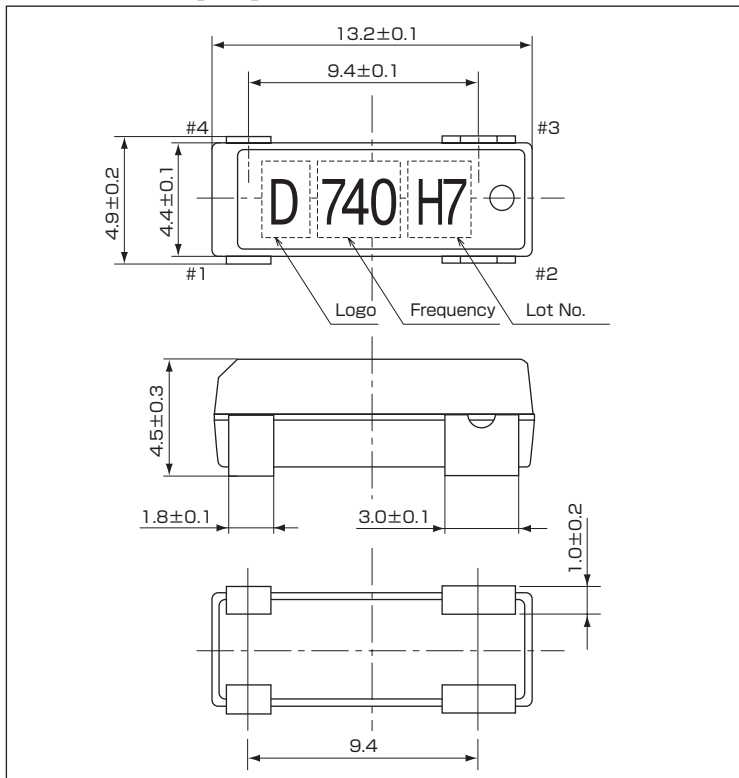
- A plastic encapsulated surface mount version of the AT-38 crystal resonator.
- Correspond to automatic mounting and reflow soldering.

### ■ Standard Specification

Item	Type	DMX-38
Frequency Range		3.579~28MHz
Overtone Order		Fundamental
Load Capacitance		Series 12pF, 16pF, 20pF, 32pF
Drive Level		10μW (300μW max.)
Frequency Tolerance		±50×10 <sup>-6</sup> , ±100×10 <sup>-6</sup> (at 25°C)
Series Resistance		40~200Ω
Frequency Characteristics over Temperature		±50×10 <sup>-6</sup> / -10~+60°C
		±100×10 <sup>-6</sup> / -30~+80°C
Storage Temperature Range		-40~+85°C
Packing Unit		1000pcs./reel (φ330)

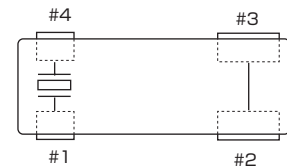
Consult our sales representative for other specifications.

### ■ Dimensions [mm]



### ■ Internal Connections

<Top View>



● Pin #2 and #3 should be soldered to be electrically OPEN to the PCB.

### ■ Recommended Land Pattern [mm]

<Top View>

